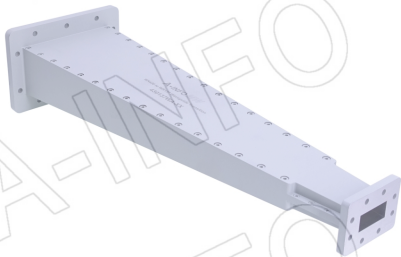


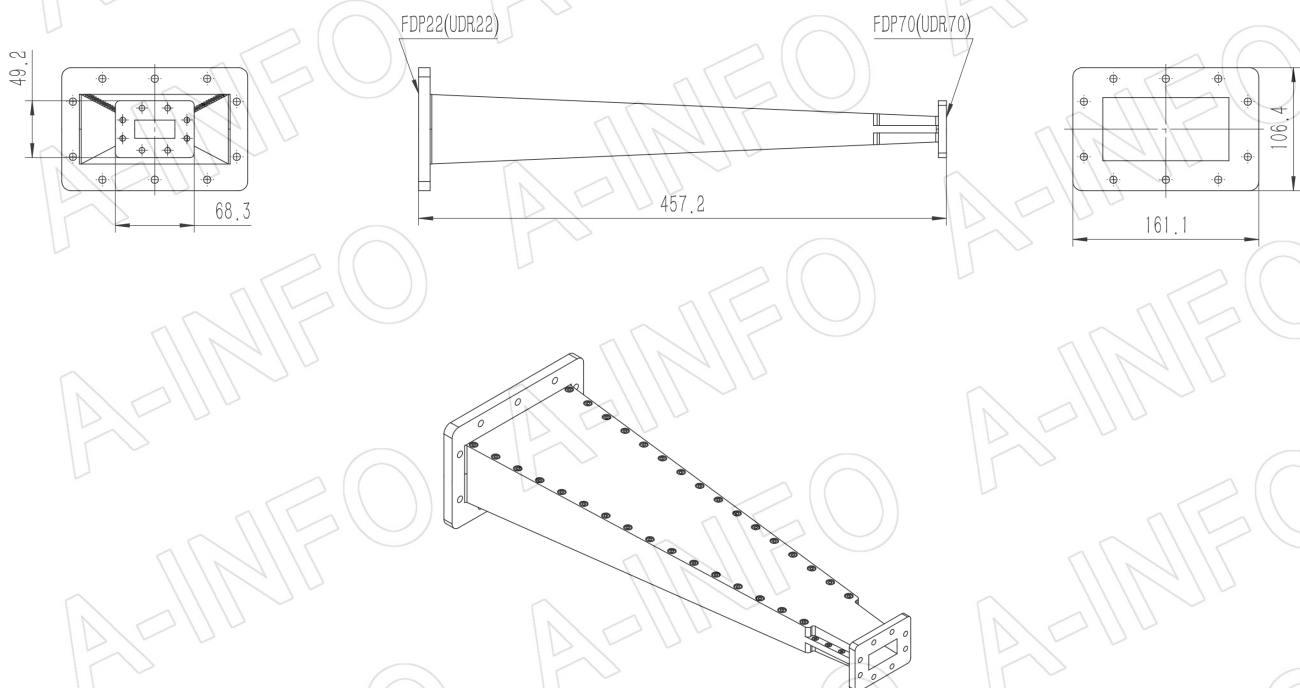
For reference only. See data sheet for the detailed specifications.

Technical Specification

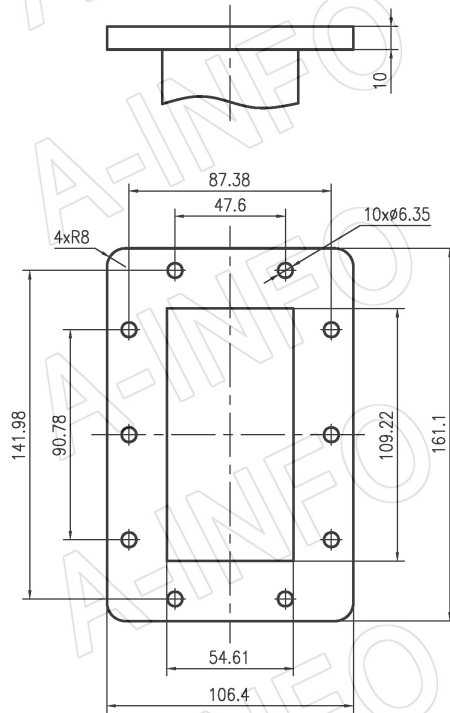


EIA WR to WR	WR430 to WR137
Frequency Range(GHz)	WR430: 1.70 – 2.60
	WR137: 5.85 – 8.20
Length(mm/inch)	457.2/18
Insertion Loss(dB)	0.2 Max.
VSWR	1.10:1 Max.
WR430 Flange	FDP22(UDR22)
WR137 Flange	FDP70(UDR70)
Material	Al
Finish	Chemical Conversion Coating, Gray Paint
Size(mm)	457.2 x 161.1 x 106.4
Net Weight(Kg)	1.79 Around

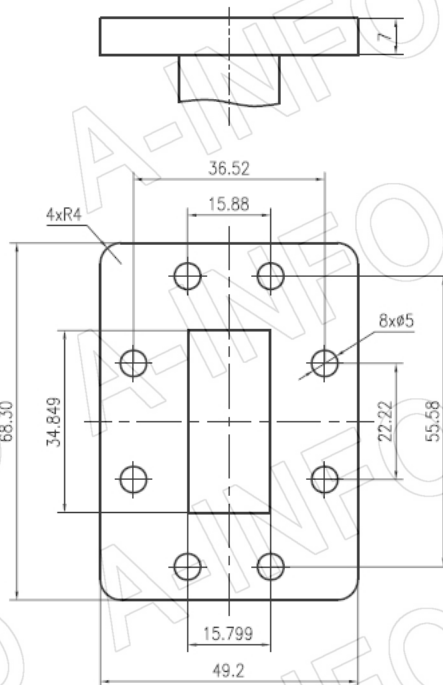
Outline Drawing (Size: mm)



Flange Outline Drawing (Size: mm)



FDP22

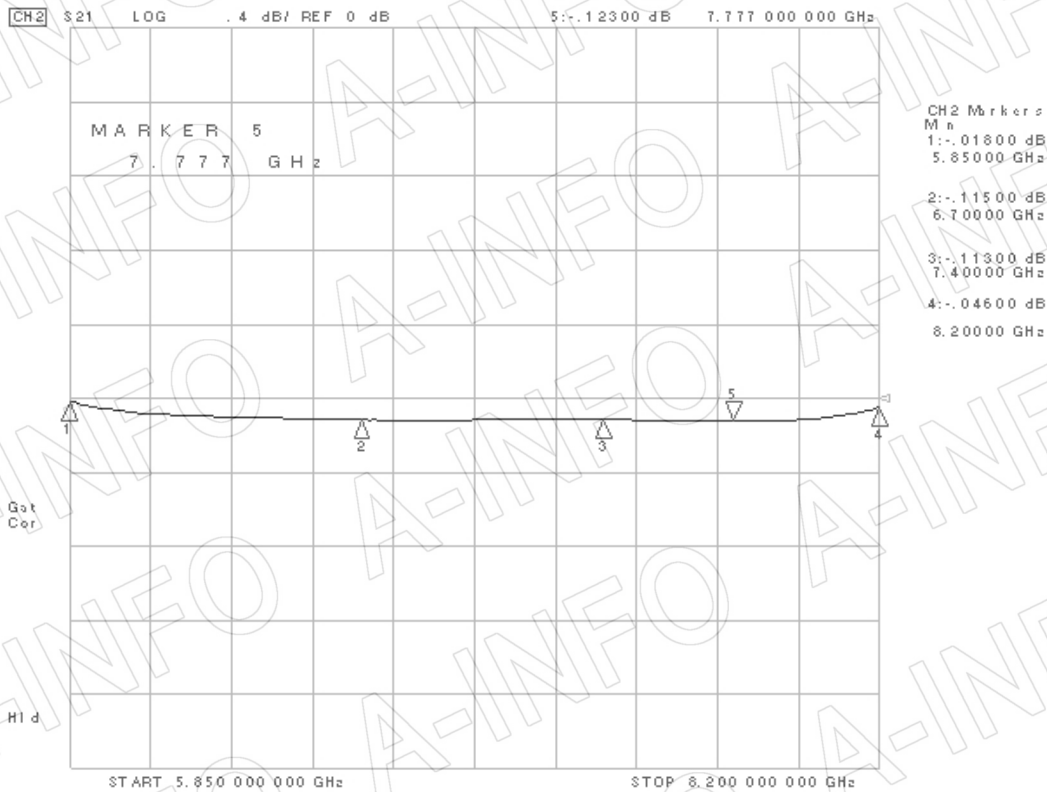


FDP70

Test Result

IL. (Test with two transitions back to back)

Open time domain test.



VSWR

